

NOTICE:

Prices and availability are subject to change without notice.

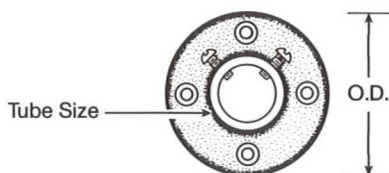
Please contact Marlin Manufacturing before ordering for updated pricing.

PROTECTING TUBES MOUNTING ACCESSORIES

FIXED BUSHING SIZE	PART NO. (steel)	PRICE \$ add	PART NO. (SS)	PRICE \$ add
1/2 NPT	F12C	8.00	F12S	10.00
3/4 NPT	F34C	9.00	F34S	11.00
1 NPT	F44C	9.00	F44S	13.00
1 1/4 NPT	F54C	11.00	F54S	27.00
1 1/2 NPT	F64C	11.00	F64S	32.00

NOTES:

- 1) Bushings are welded to tubes.
- 2) 1/2 NPT Bushing fits up to 3/8 pipe
 3/4 NPT Bushing fits up to 1/2 pipe
 1 NPT Bushing fits up to 3/4 pipe
 1 1/4 NPT Bushing fits up to 1 pipe
 1 1/2 NPT Bushing fits up to 1 1/4 pipe
- 3) GIVE IMMERSION LENGTH WHEN ORDERING BUSHING
 e.g. 12-304-24"-F34C-18" and add bushing price to base list price



Adjustable Flange For Metal Protecting Tubes

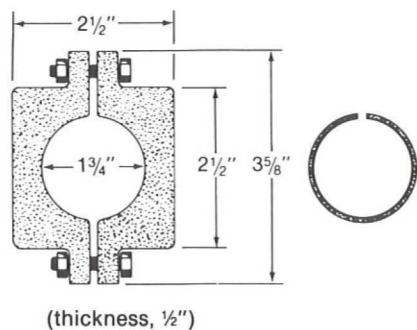
PROTECTING TUBE SIZE	FLANGE O.D.*	PART NO.	PRICE \$/ea.
1/4" NPT	2 3/8"	AF-14	6.00
3/8" NPT	2 7/8"	AF-38	6.00
1/2" NPT	3"	AF-12	6.00
3/4" NPT	3 1/4"	AF-34	6.00
1" NPT	3 3/4"	AF-44	7.50
1-1/2" NPT	4 1/2"	AF-64	9.00

*Approx. Dim.

Split Flange For Ceramic Protecting Tubes

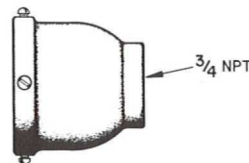
FOR PROTECTING TUBE	PART NO.	PRICE \$/ea.
1 3/4 O.D. SILICON CARBIDE	SF	11.

*Includes gasket



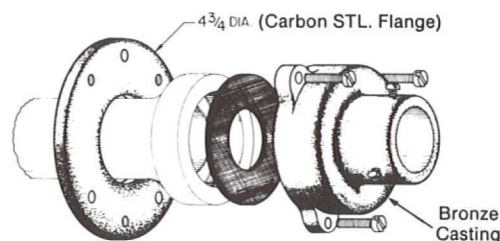
DISCOUNT SCHEDULE	
QUANTITY	FACTOR
1-9	NET
10-49	.90
50-74	.85
75-99	.80
100+	.75

Fixed Steel Mounting Bushing For Metal Protecting Tubes



PART NO.	PRICE
WP	12.00

Weatherproof cover for SIC



Support Flange and Casting Assembly For 1-3/4" O.D. Silicon Carbide Protecting Tube w/Collar

DESCRIPTION	PRICE \$/ea.
Support Casting MF-0	10.50
Gasket MF-1	1.25
CS Support Flange MF-2	10.00

When ordering complete assembly, order all three part numbers.

Tapered Steel Mtg. Plug For Blast Furnace Assembly

PART NO.	PRICE
TP	18.00

